

TRACK TRAILER 3000

DESCRIPTION

Track trailer aimed to be mounted with a GP3000 monitor (MONITOR INOX or COMBITOR).

It has no light nor signalization, it can be tracked at low speed in private areas but it is not authorized to be used on public roads.

Built with the following elements :

- An axle without brake, PTAC 750 kg with rubber and smooth suspension.
- A fixed trailing arm with a standardized hanging ring Ø 50.
- Three stabilizers, two adjustable at the back.
- A supply pipe, inlet with half coupling with locking ring and plug, flanged outlet.
- Nut and bolt works in stainless steel for the connection of the monitor.

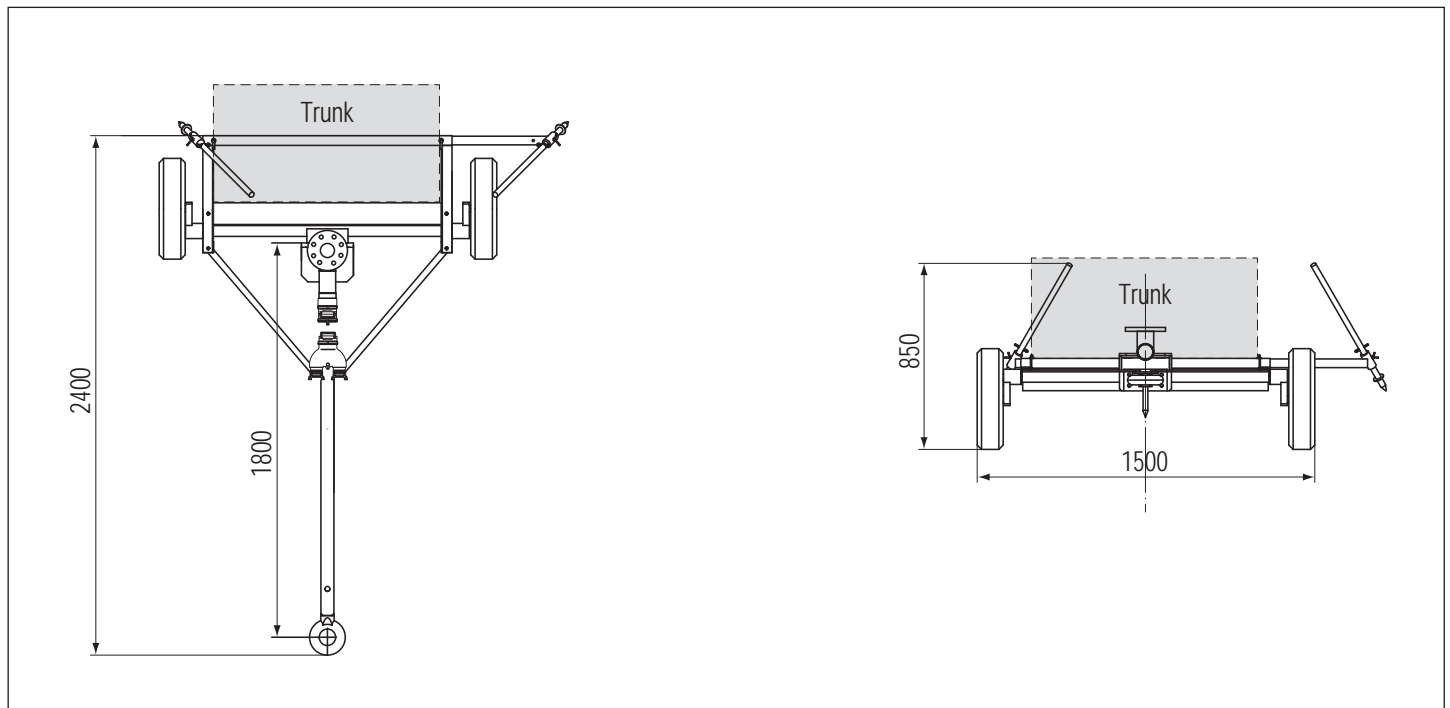
STANDARDS

- NF EN 1092 : Circular flange for hoses, fitting equipment, couplings and accessories named PN.
- NF S 61.701 : Fire brigades equipment : fire-fighting couplings.



CONSTRUCTION

Red fire plasticized steel.



CHARACTERISTICS

Model	Inlet	Outlet	Part numbers
Track trailer 3000	1 x DSP 65	ISO PN 16 ND 100	3472.926
	1 X AR 100	ISO PN 16 ND 100	3472.931
	2 X DSP 65	ISO PN 16 ND 100	3472.937
	2 X DSP 65	ASA ND 100	3472.937A
Options :			
Butterfly valve ND 100			2908.931
A collecting device, 2 inlets ND 65, 1 outlet ND 100			2403.539
Storage trunk in bulb plate with locks, size : W.1100 x L.550 x H.450 mm			3209.900